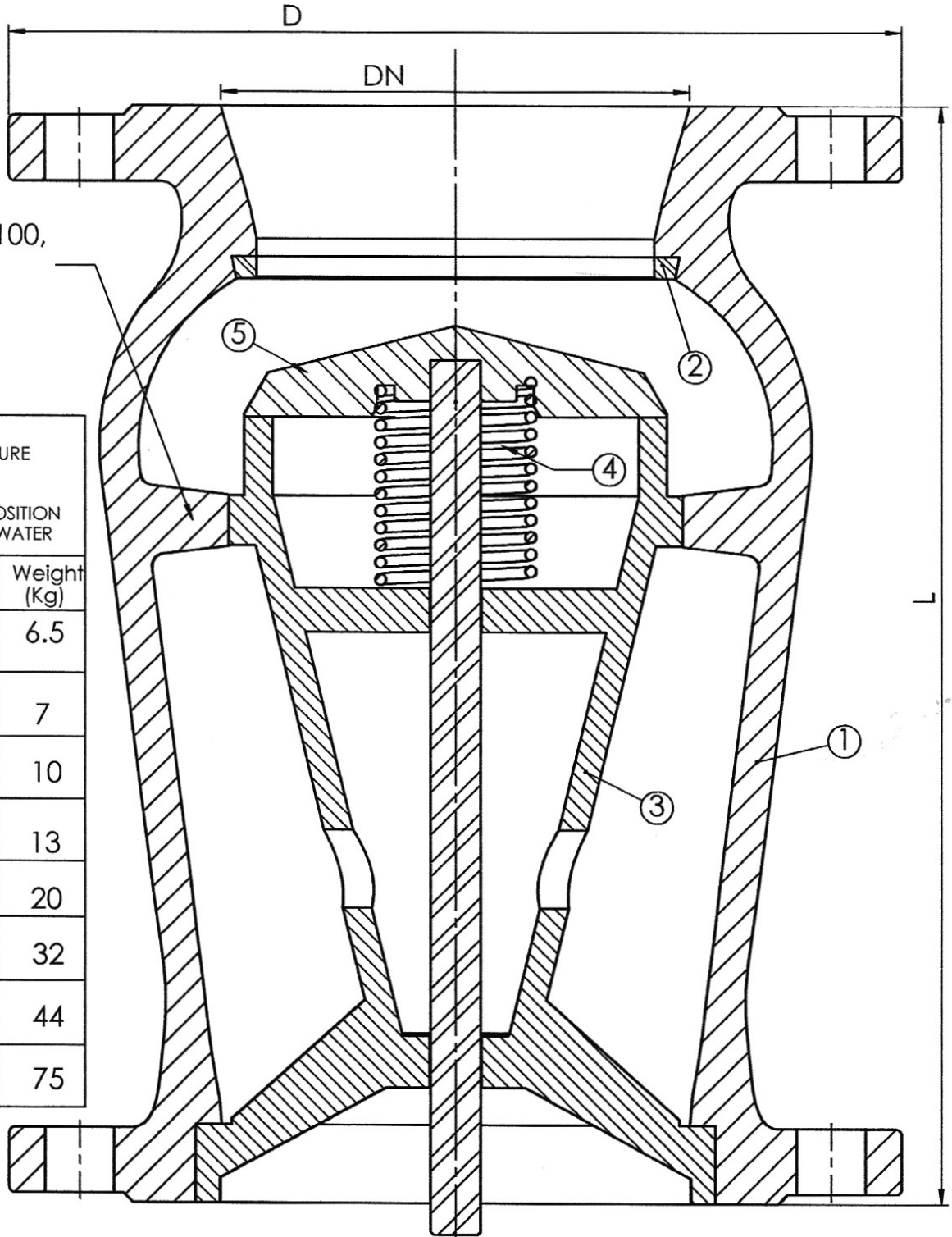


ONLY FOR DN 100,
125, 150, 200

TECHNICALS

RAPID, SHOCK-FREE CLOSURE
RELIABILITY
VERY LOW FLOW LOSSES
INSTALLATION IN EVERY POSITION
SUITABLE FOR DRINKABLE WATER

DN	L (mm)	D (mm)	Weight (Kg)
40	120	150	6.5
50	120	165	7
65	150	185	10
80	180	200	13
100	240	220	20
125	300	250	32
150	350	285	44
200	400	340	75



COMPONENT LIST

1. BODY (EN1561 EN-GJL-250 - CAST IRON)
epoxy powder painted
2. RING (AISI304 - STAINLESS STEEL)
3. GUIDE (EN 1982 Cu Zn Pb 2 Ni 1 Al Fe-C-
BRASS) for Dn 40-100;
(EN1561 EN-GJL-250 - CAST IRON)
epoxy powder painted for Dn 125-200
4. SPRING (AISI302 - STAINLESS STEEL)
5. SHUTTER (AISI 304 - STAINLESS STEEL);
FOR Dn 200 PAINTED CAST IRON DISC
WITH STAINLESS STEEL INSERT

CHECK VALVE "VENTURI" NP 10-16

SIZE	CODE VRV	DIS. N. 1001	REV. 00
------	--------------------	-----------------	------------